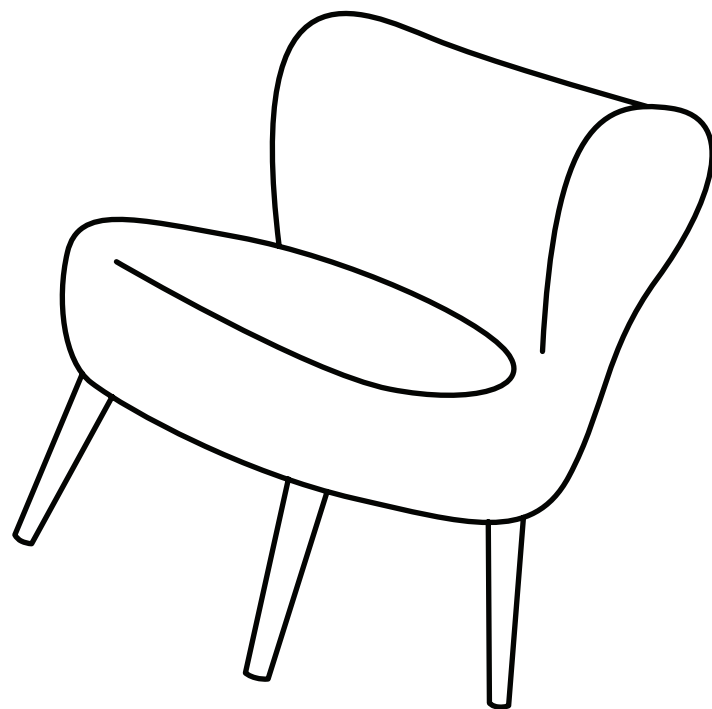
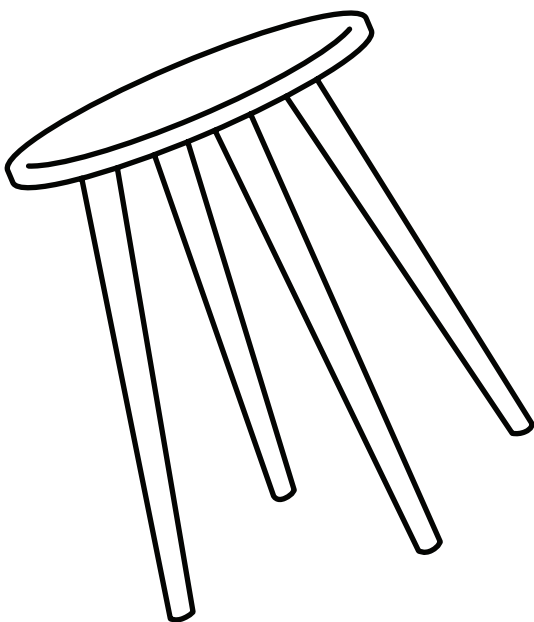


Hello, I've arrived!

Now that I'm here you are only one
flat-pack away from transforming
your home.



Mocka.

Thank you for supporting us.

We believe design belongs to everyone. From materials and processes to safety testing, production and delivery, we are passionate and committed to bringing you the best possible product so you can create beautifully functional spaces to feel comfortably you.

Here are a few assembly tips before you get started:



Make Time

The first step to all seamless assembly is taking a moment to carefully read through the instructions—you are already on your way to creating a beautifully functional space!



Set The Mood

Put on your favourite playlist, order that pizza and pour yourself a drink to get in the mood!



Tool Check

Layout the instructions, screws and panels to check you have everything you need. A blanket or soft floor rug will help protect your new favourite item from scratches and a drill will speed up the assembly too!



Room Reveal

You did it! Take a step back and enjoy the moment. Don't forget to recycle any packaging and share a pic of your room reveal—we love seeing how you transform your home! **Tag us @mockaaustralia/@mockaanz**

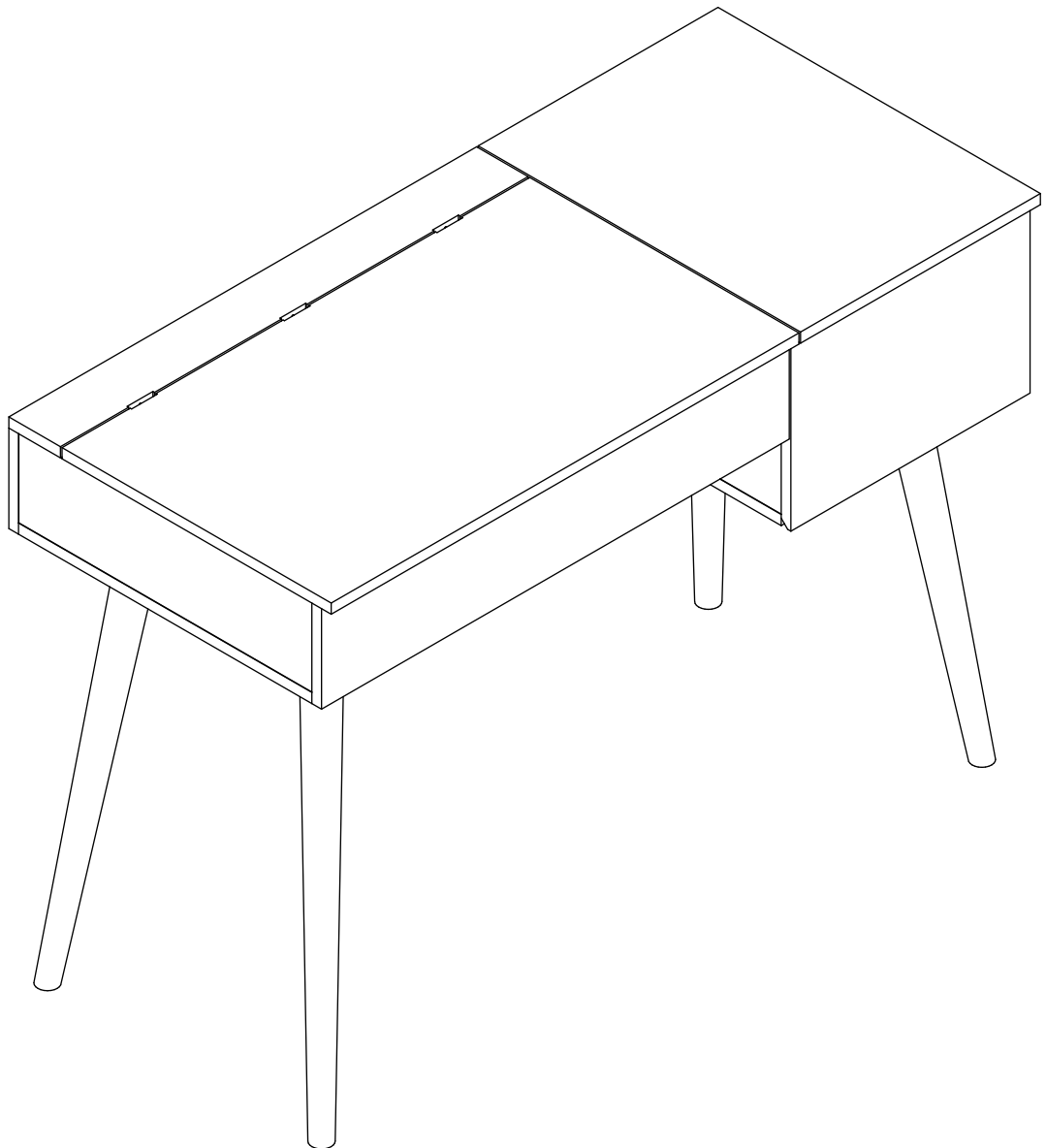
Happy flat-packing!

The Mokka Team

Leia

Make-Up Table

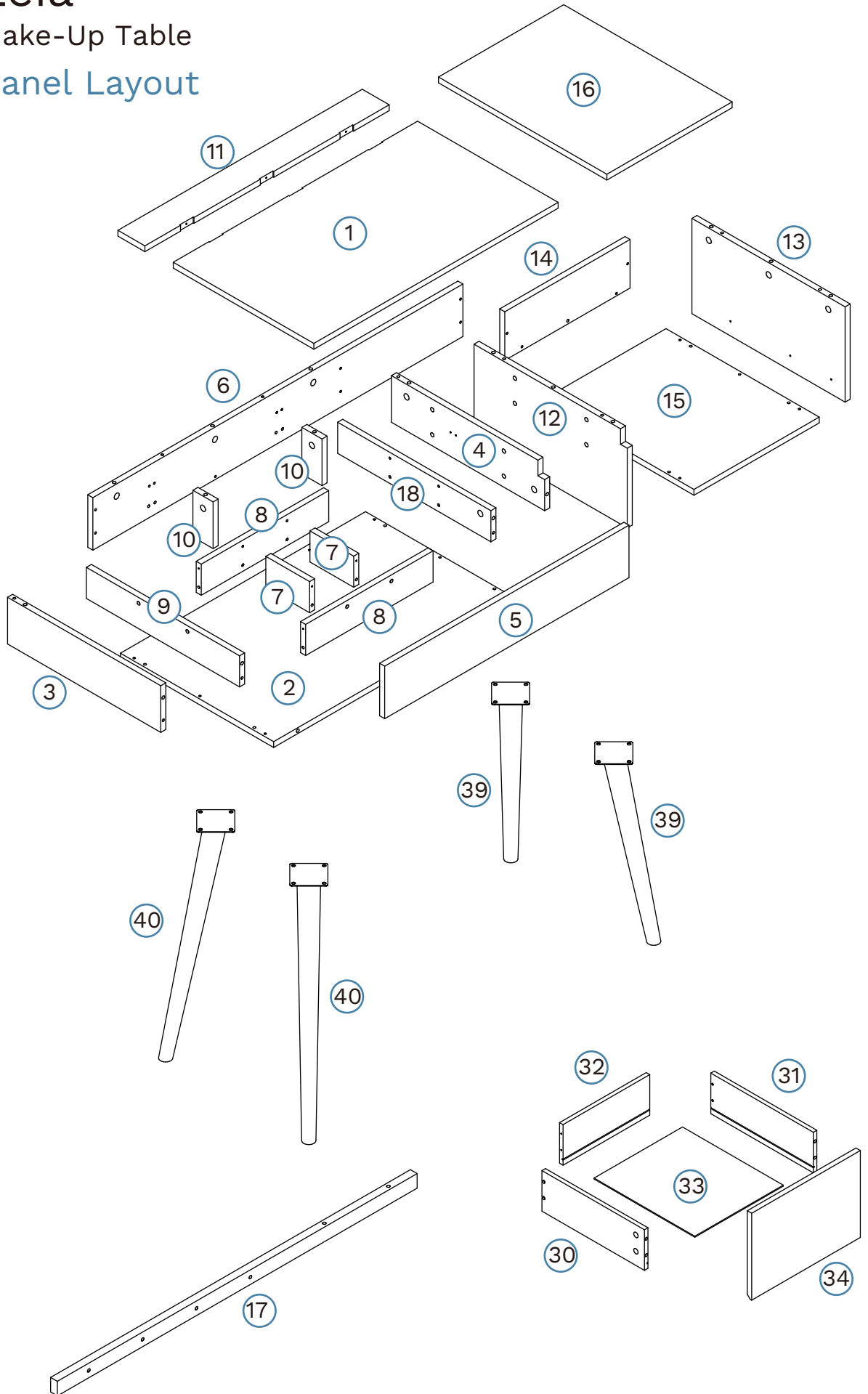
Thank you for your purchase. Please follow the instructions for correct assembly. While we took great effort to ensure these assembly instructions were correct at the time of printing, sometimes updates are required post production. For the most up to date versions please refer to the product page on our website. mocka.com.au/mocka.co.nz



Leia

Make-Up Table

Panel Layout



Leia






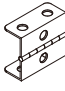

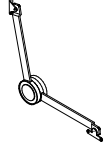






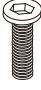
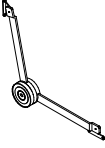




Make-Up Table

Partlist






①	Top Panel	x1	⑭	Panel	x1
②	Bottom Panel	x1	⑮	Bottom Panel	x1
③	Side Panel	x1	⑯	Top Panel	x1
④	Side Panel	x1	⑰	Rail	x1
⑤	Front Panel	x1	⑱	Panel	x1
⑥	Back Panel	x1	⑳	Left Drawer Side	x1
⑦	Inner Panel	x2	㉑	Right Drawer Side	x1
⑧	Panel	x2	㉒	Drawer Back	x1
⑨	Panel	x1	㉓	Drawer Base	x1
⑩	Panel	x2	㉔	Drawer Front	x1
⑪	Panel	x1	㉙	Leg	x2
⑫	Panel	x1	㉚	Leg	x2
⑬	Panel	x1			

Leia

Make-Up Table

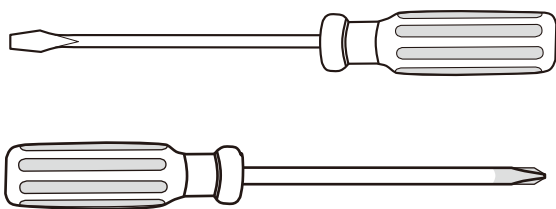
A  dowel x 32	B  screw x 43	C  bolt x 24	D  locking nut x 24	E  screw x 12	F  hinge x 3	G  screw x 20	H  folding hinge x 1	I  bolt x 4	J  bolt x 4
K  sticker x 3	L  screw x 6	M  allen key x 1	N  large bolt x 2	O  bolt x 16	P  folding hinge x 1	CL  slide rail x 1	CR  slide rail x 1	DL  slide rail x 1	DR  slide rail x 1

HARDWARE SUPPLIED

V  safety strap x 1	W  screw x 1	X  wall anchor x 1	Y  wall screw x 1	Z  washer x 2
--	---	---	--	--

WALL STRAP

WARNING: Any furniture that is not anchored to a wall has the potential to tip over in certain circumstances, i.e. if a child attempts to climb up on the furniture or in the event of an earthquake. Accordingly, we recommend that all furniture is anchored to a wall. We supply a free safety wall anchor with all furniture sold and we recommend these are used to prevent your product tipping. The fixing device provided should fit most wall types, but please note that different wall materials may require different fixing devices from those supplied.

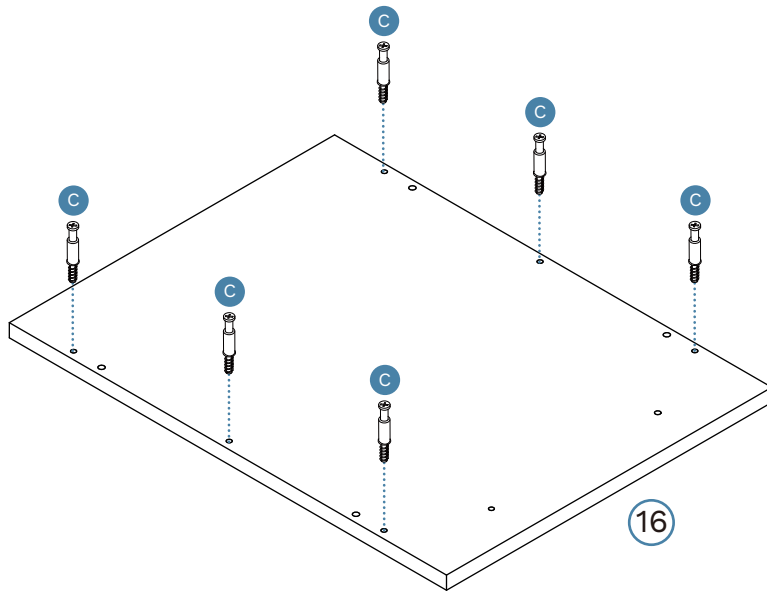



Phillips & Flathead screwdrivers required
For quicker assembly, we recommend the use of a power drill on a low-speed setting.

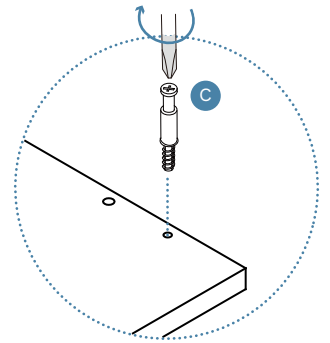
Leia

Make-Up Table

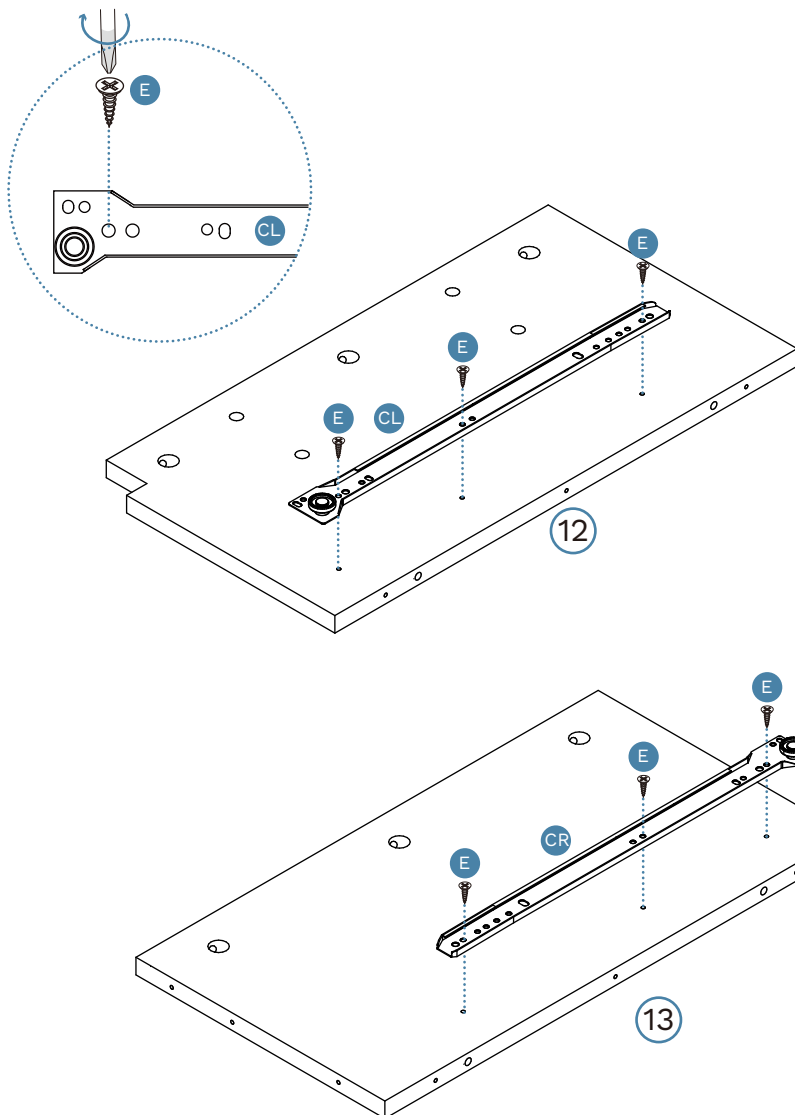
1






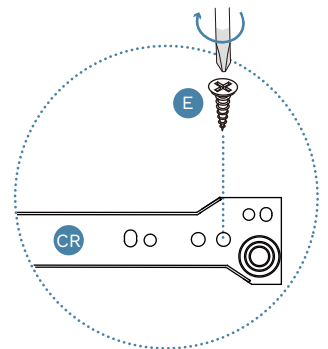
Hardware Needed		
C		x6



2



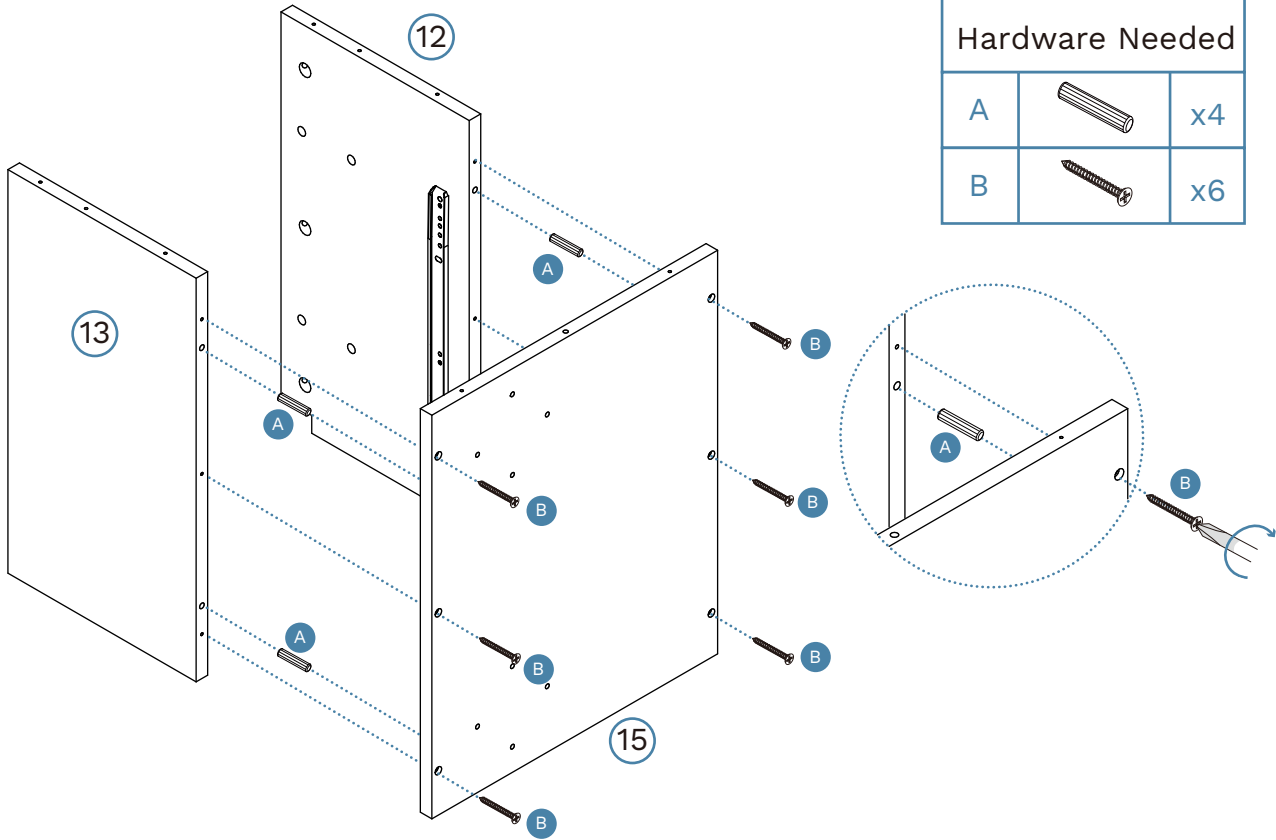
Hardware Needed		
E		x6
CL		x1
CR		x1





Leia

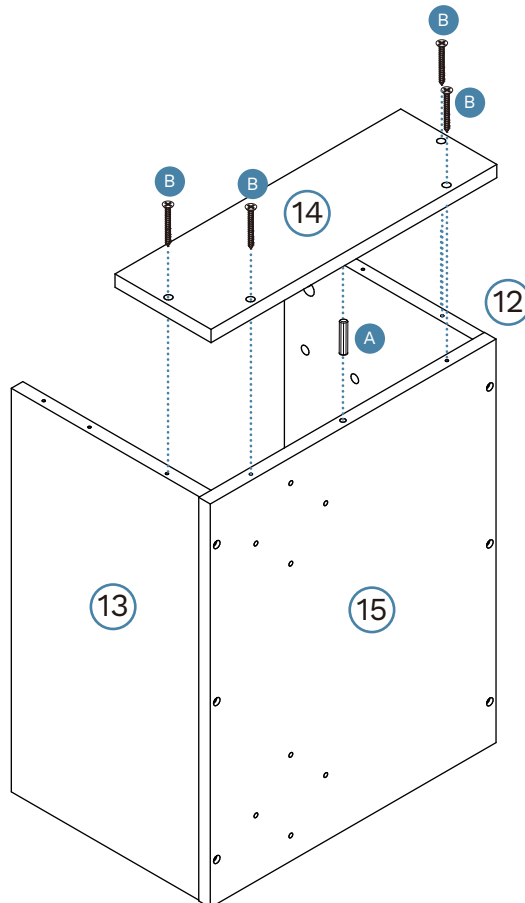
Make-Up Table

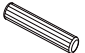

3



Hardware Needed		
A		x4
B		x6

4

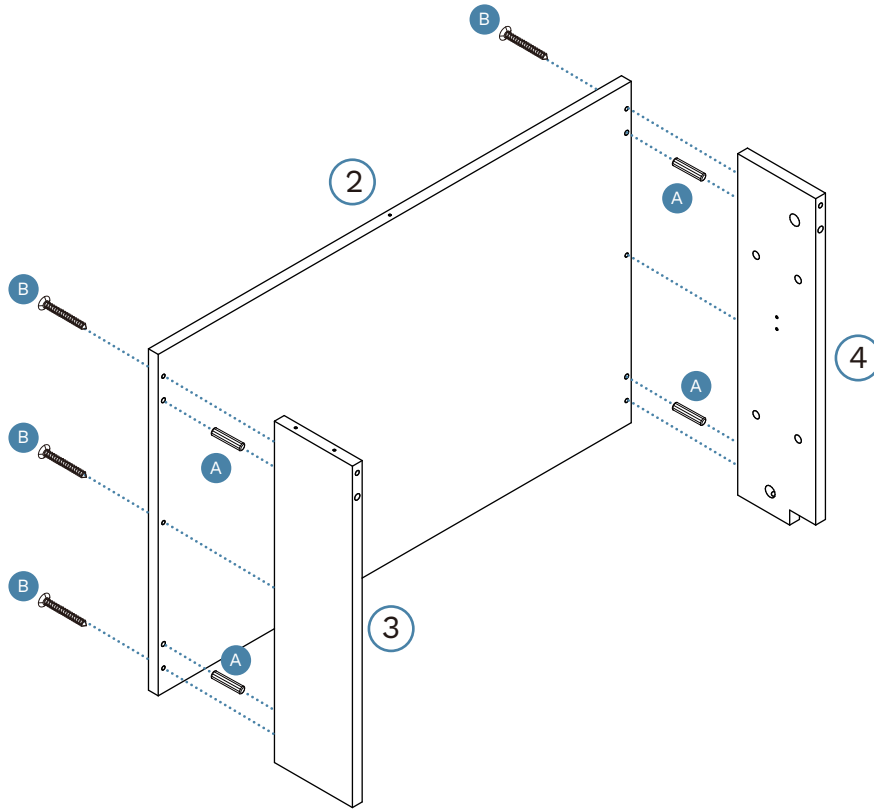


Hardware Needed		
A		x1
B		x4



Leia

Make-Up Table

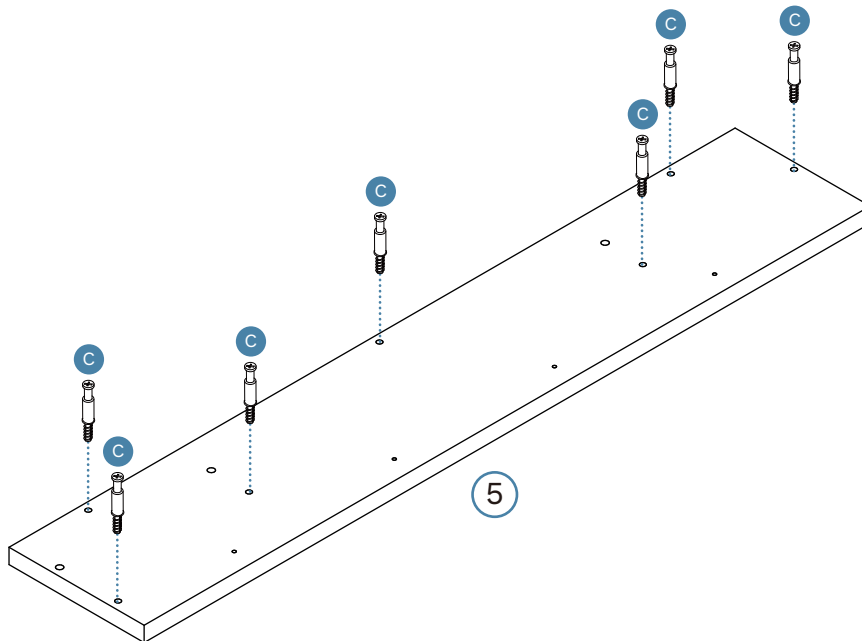
5




Hardware Needed

A		x4
B		x6

6



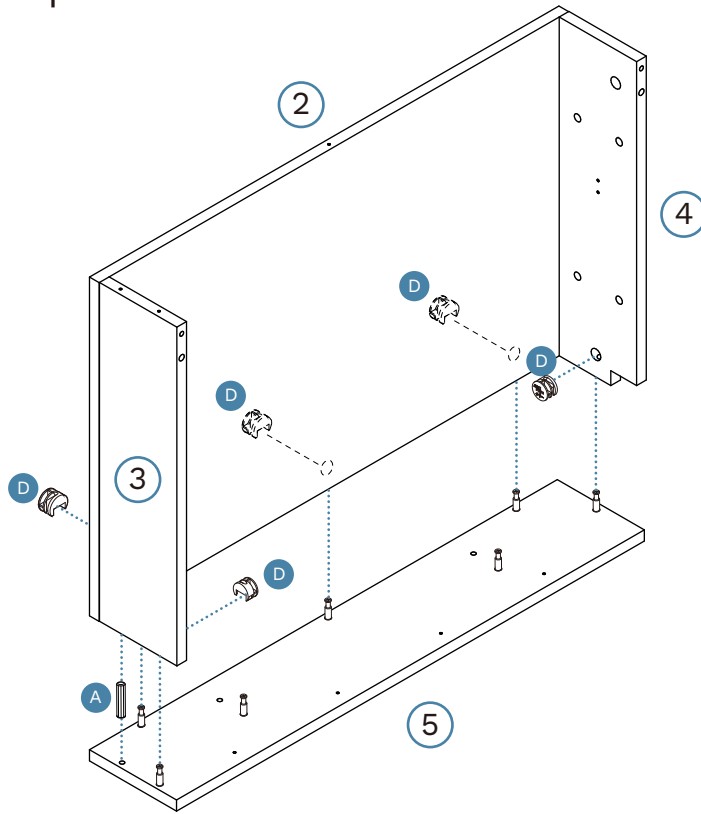
Hardware Needed



C		x7
---	---	----

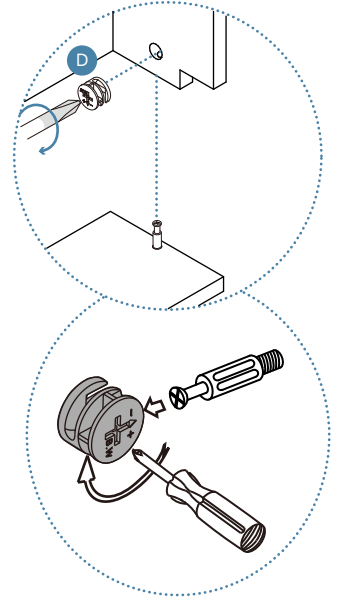
Leia

Make-Up Table

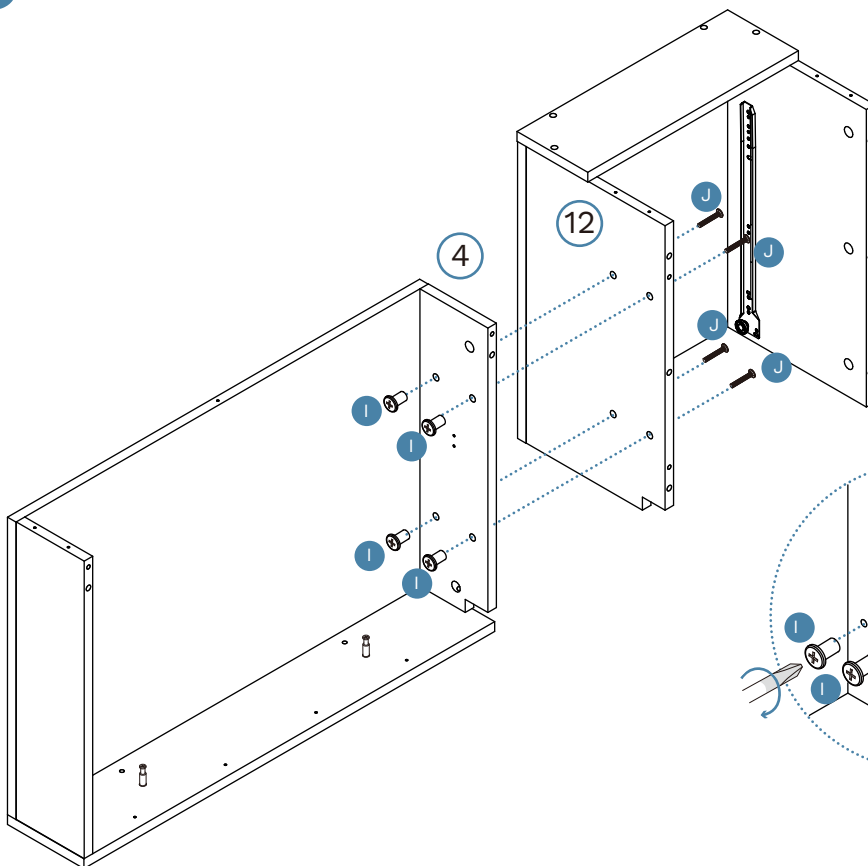
7





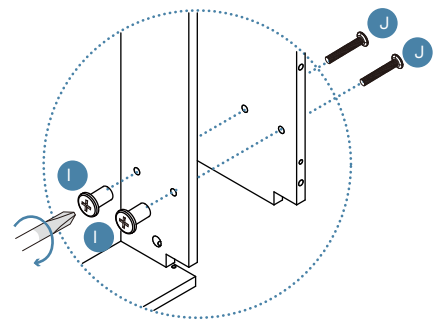
Hardware Needed		
A		x1
D		x5



8



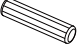

Hardware Needed		
I		x4
J		x4

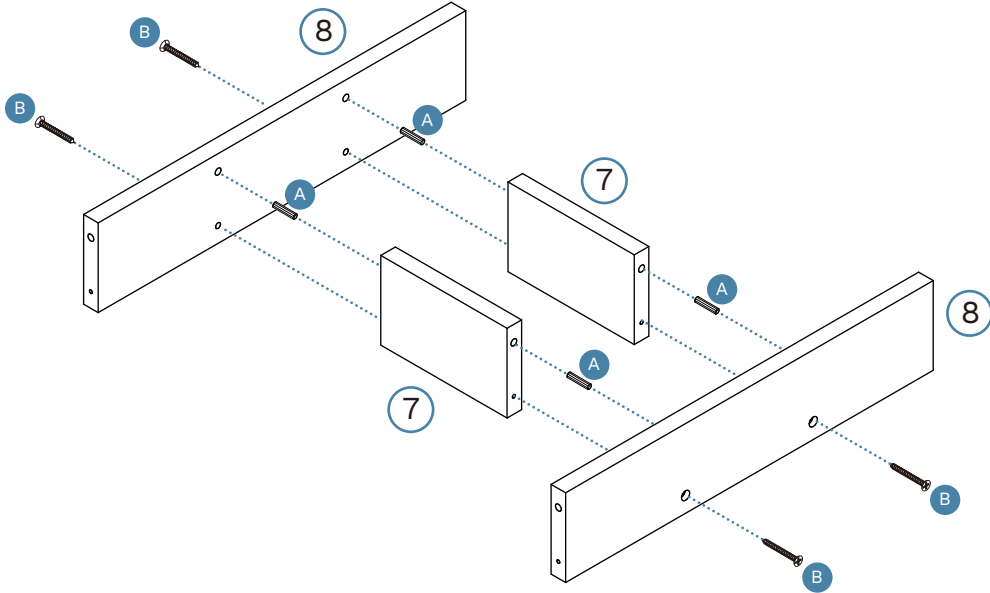


Leia



Make-Up Table

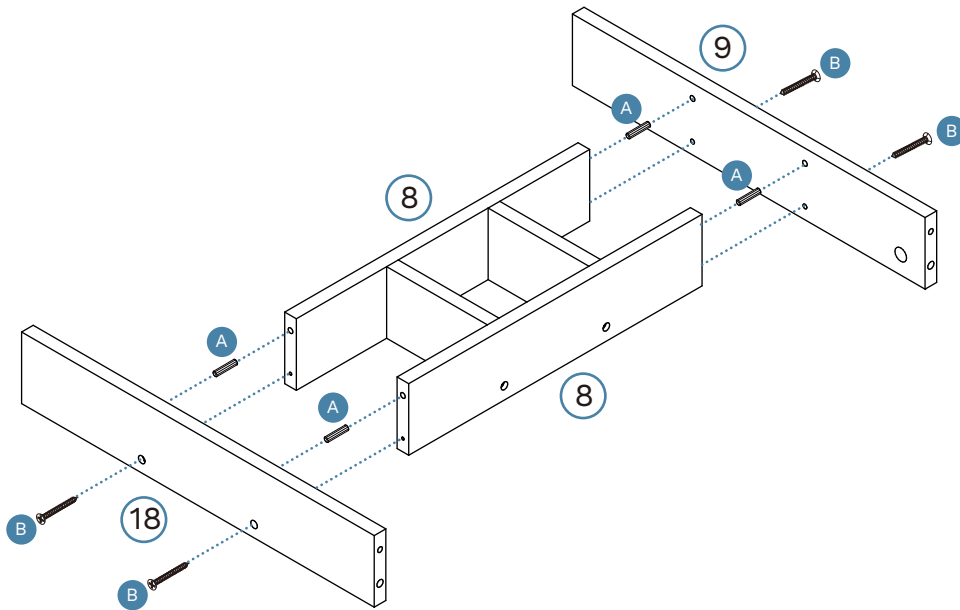
9

Hardware Needed		
A		x4
B		x4



10

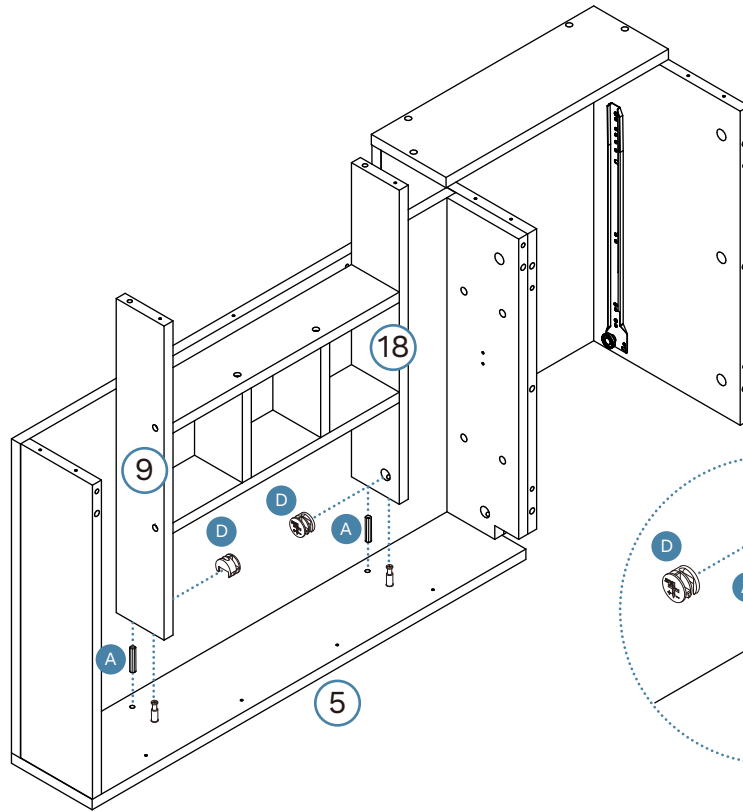
Hardware Needed		
A		x4
B		x4

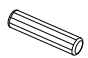



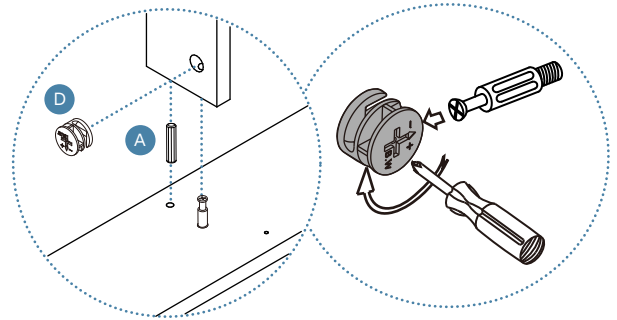
Leia

Make-Up Table

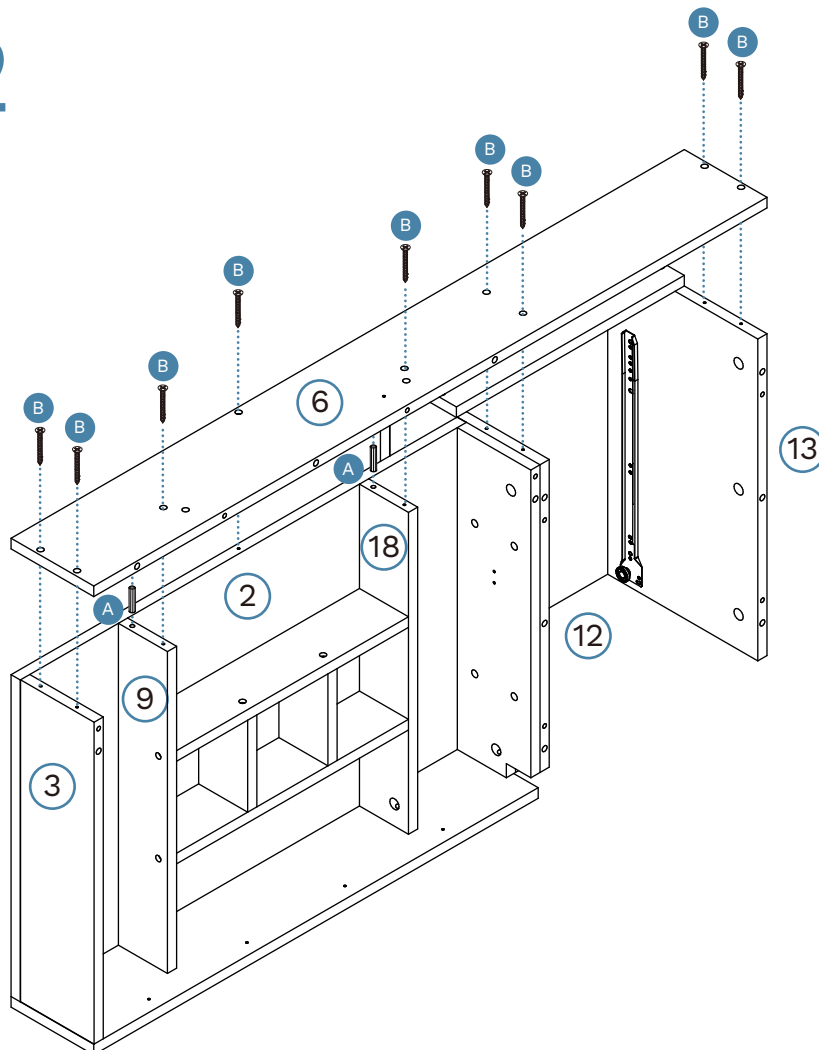
11

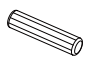



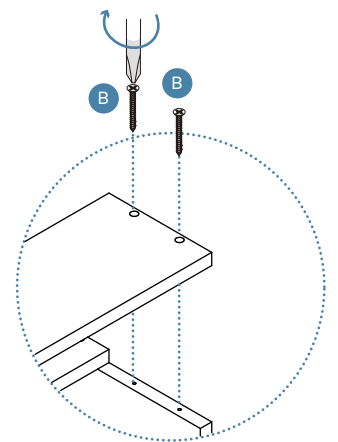
Hardware Needed		
A		x2
D		x2



12

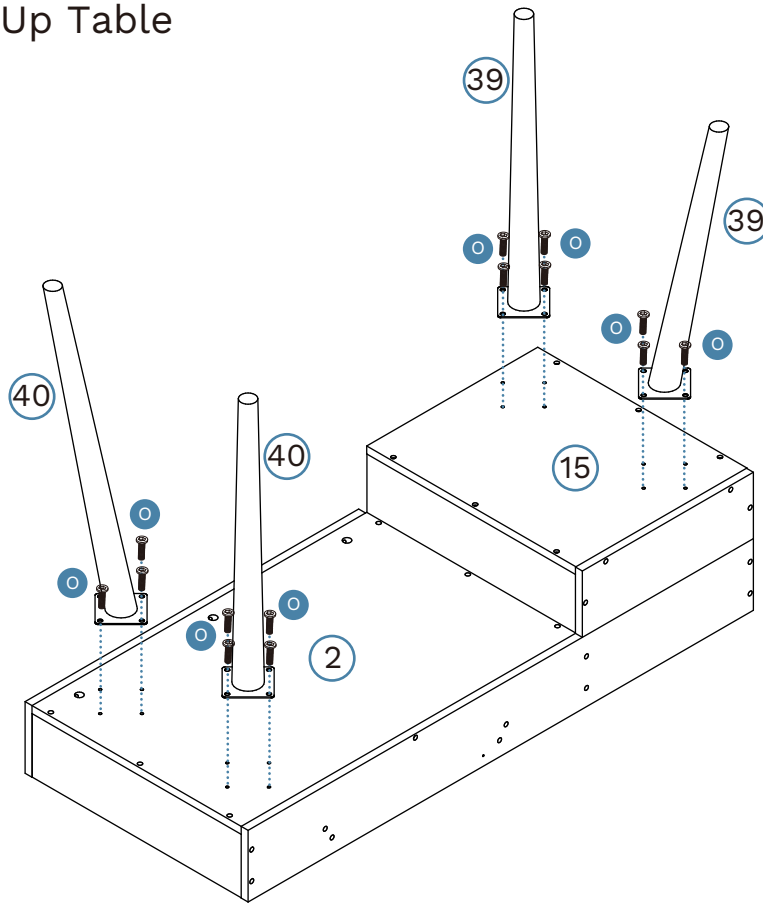




Hardware Needed		
A		x2
B		x9

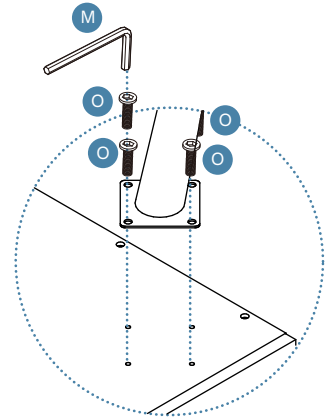


Leia
Make-Up Table

13

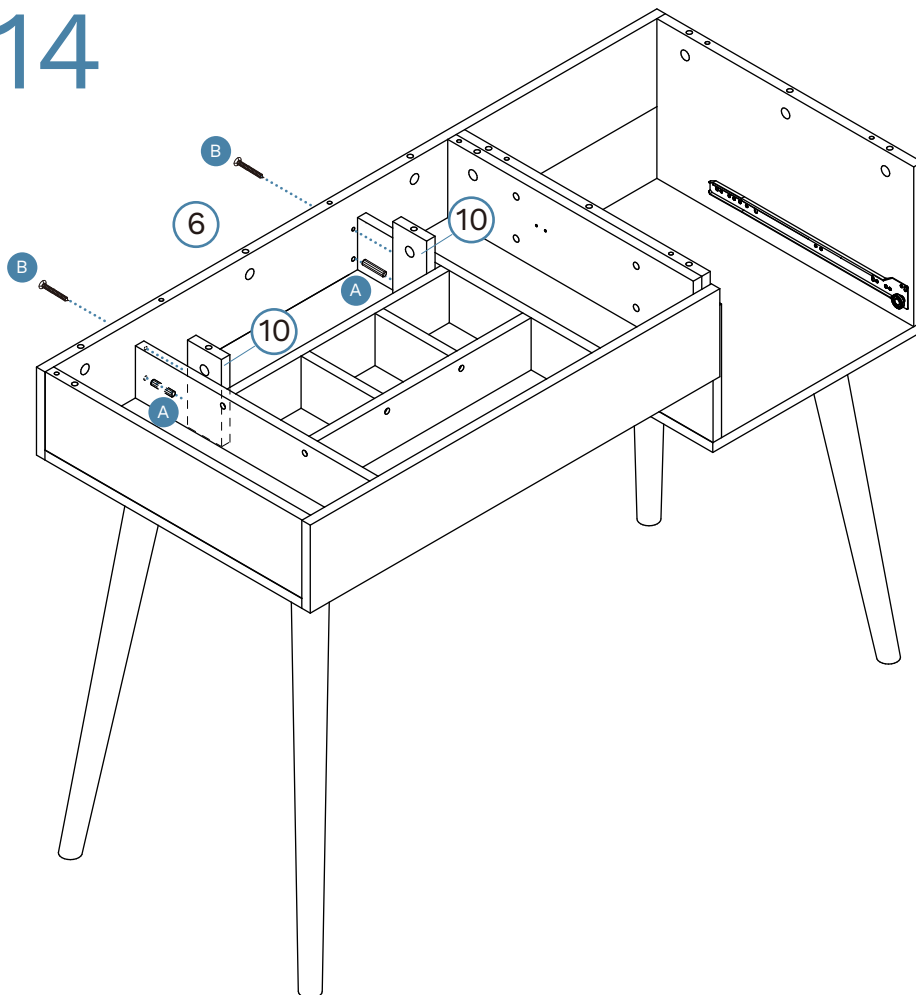




Hardware Needed		
O		x16
M		x1

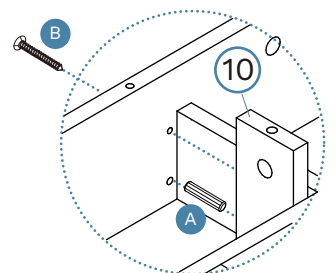


TURN OVER

14



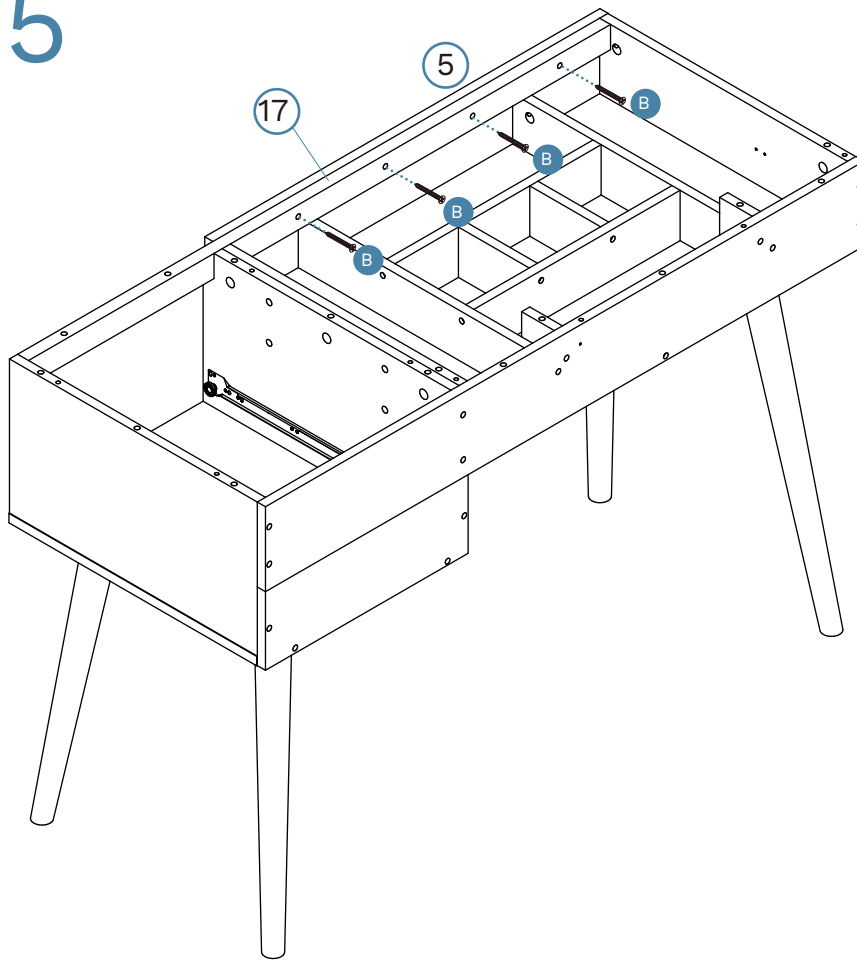
Hardware Needed		
A		x2
B		x2



Leia

Make-Up Table

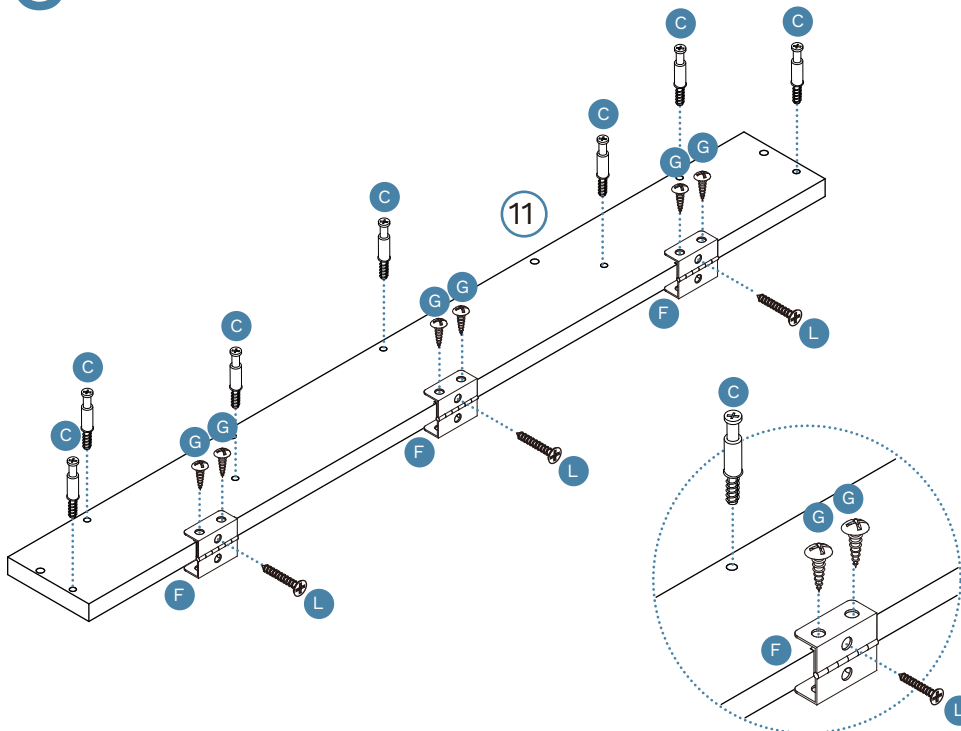
15







Hardware Needed

B		x4
---	---	----

16



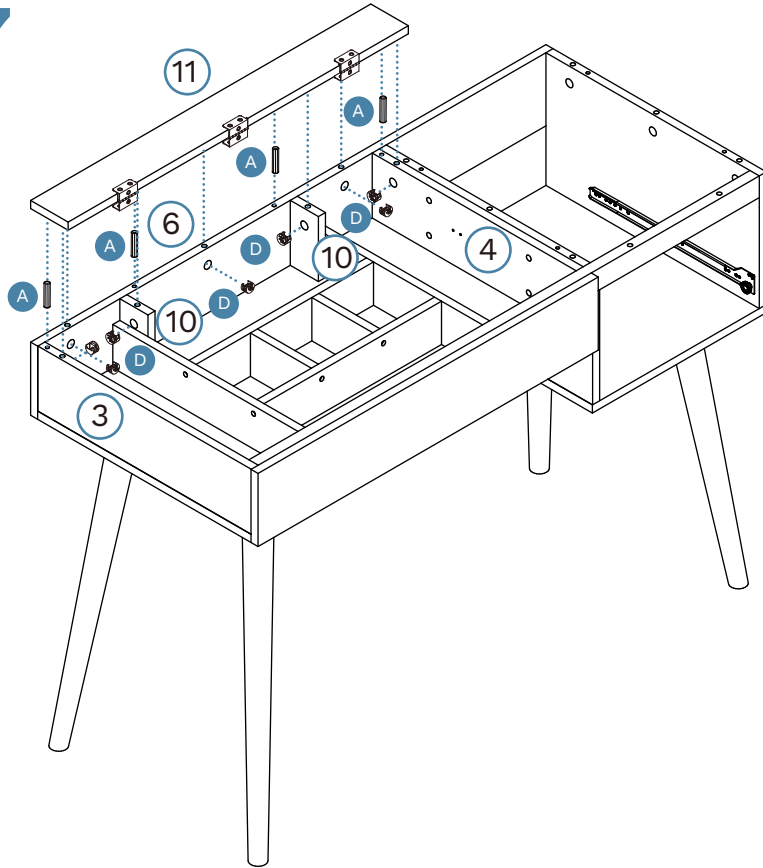
Hardware Needed



C		x7
F		x3
G		x6
L		x3

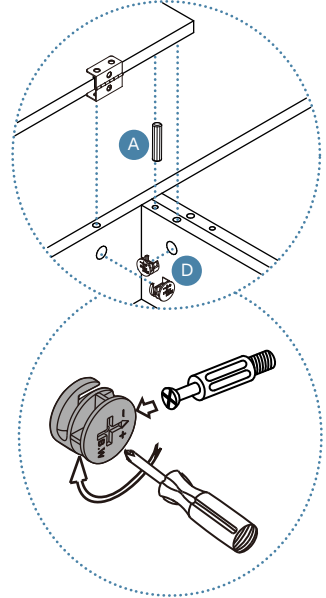
Leia

Make-Up Table

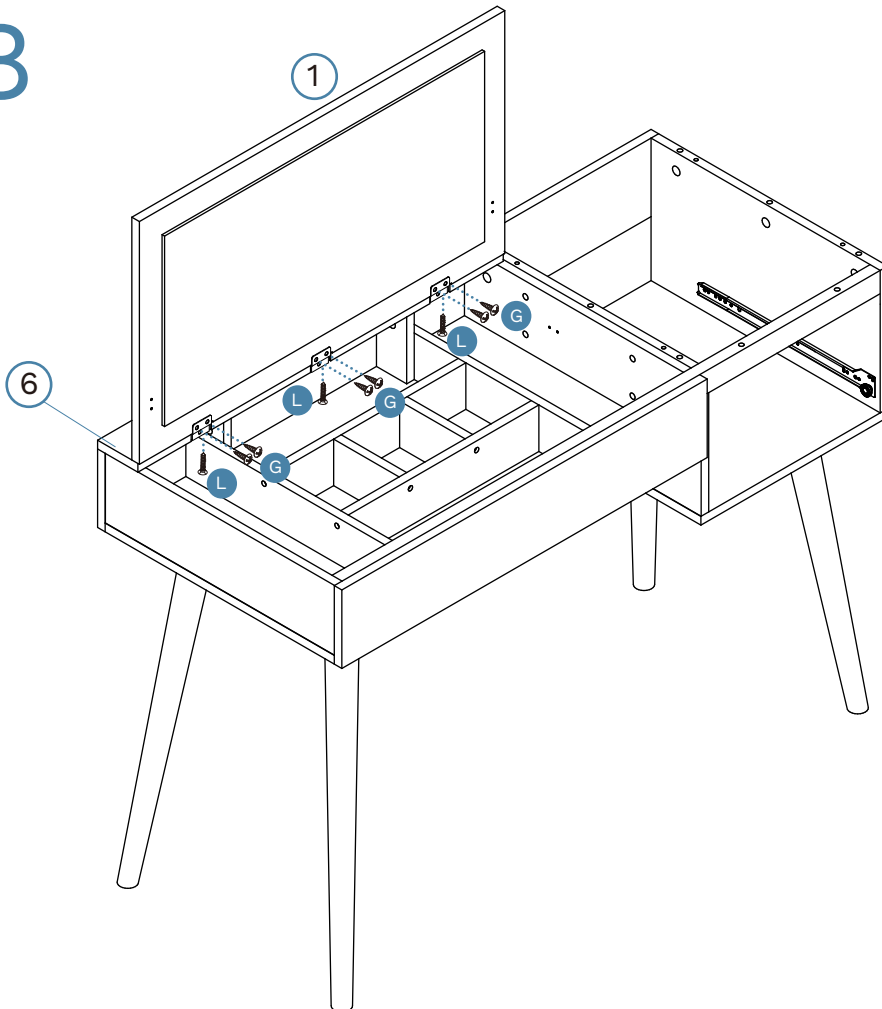
17





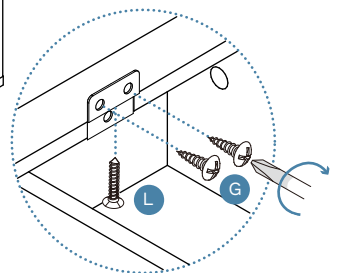
Hardware Needed		
A		x4
D		x7



18

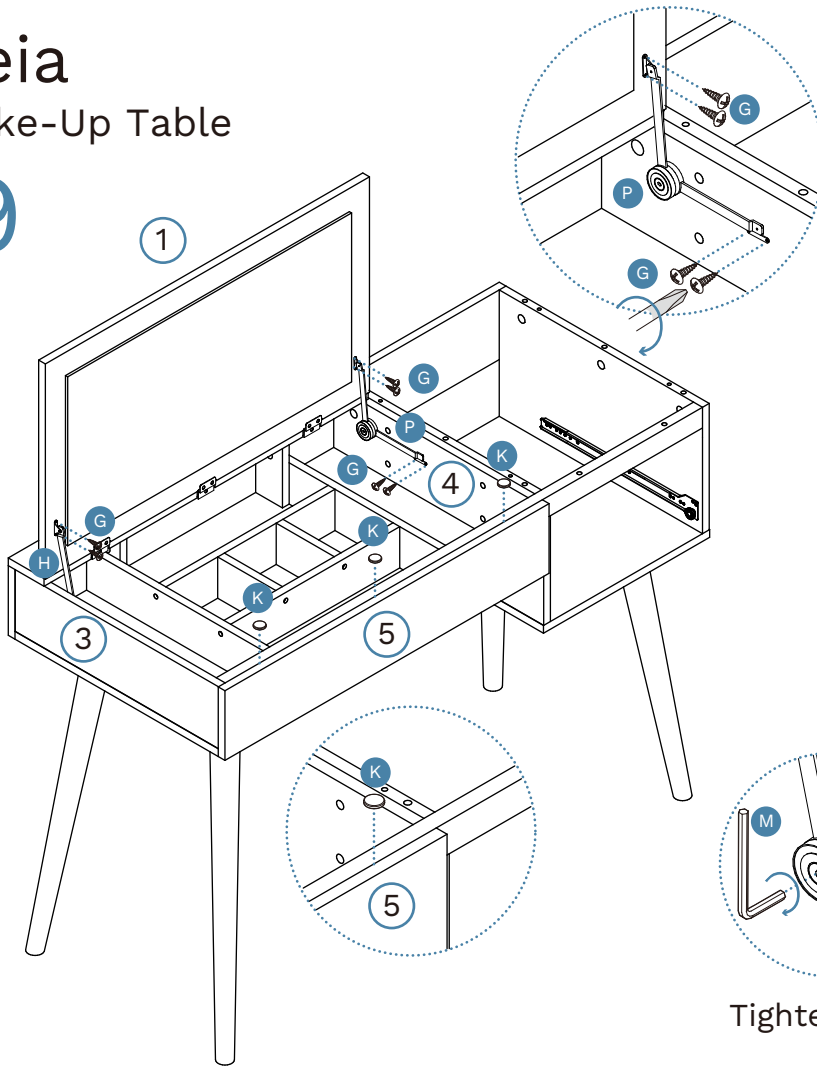


Hardware Needed		
G		x6
L		x3



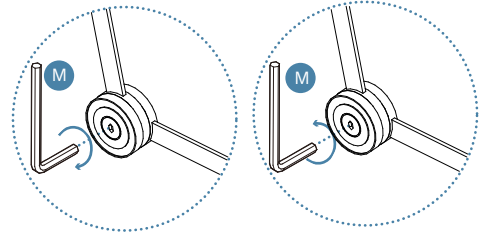
Leia
Make-Up Table

19



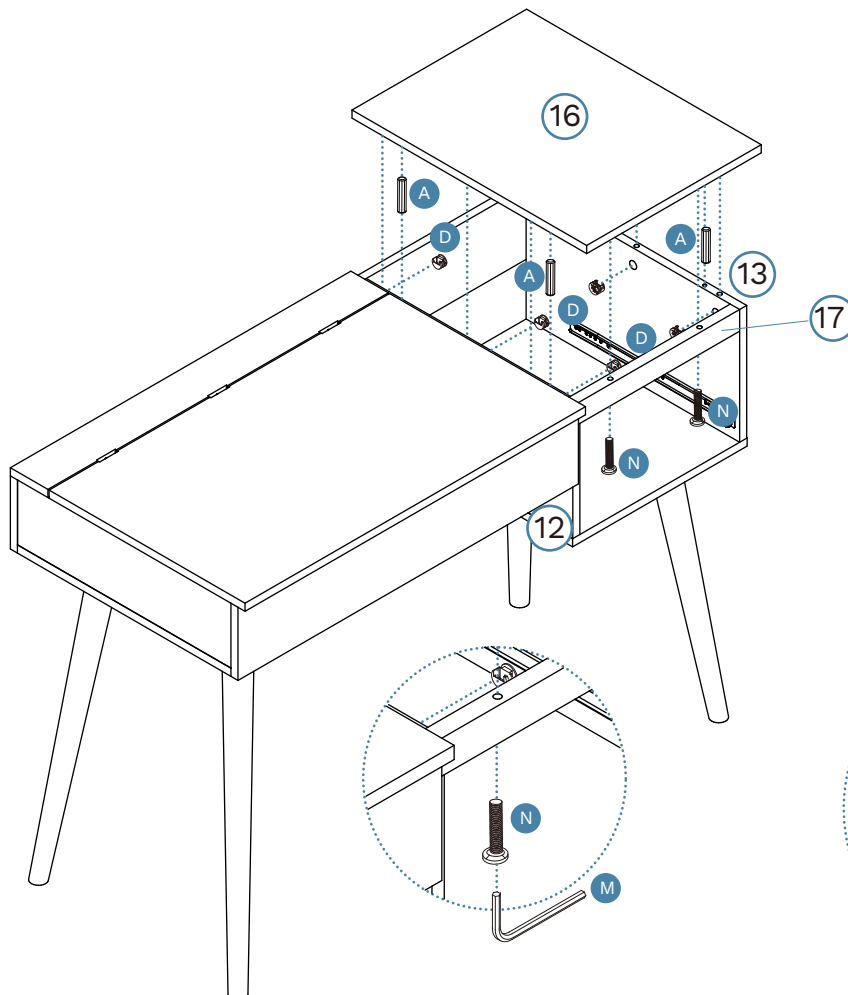
Hardware Needed

G		x8
H		x1
K		x3
M		x1
P		x1



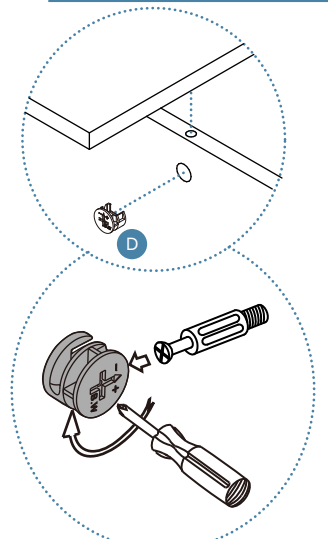
Tighten clockwise and loosen counterclockwise

20




Hardware Needed

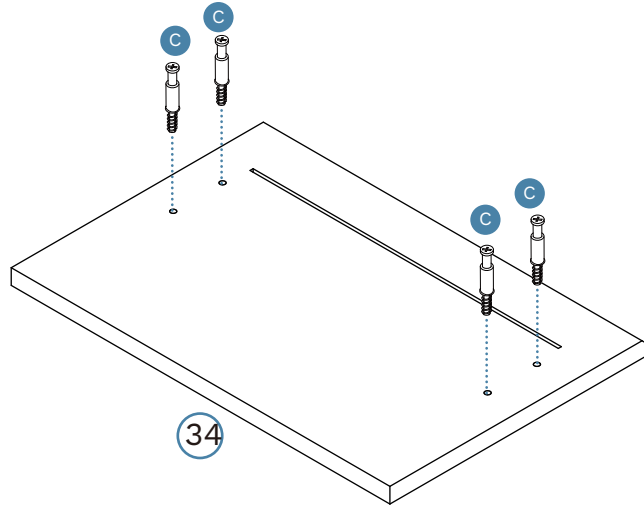
A		x4
D		x6
M		x1
N		x2




Leia
Make-Up Table

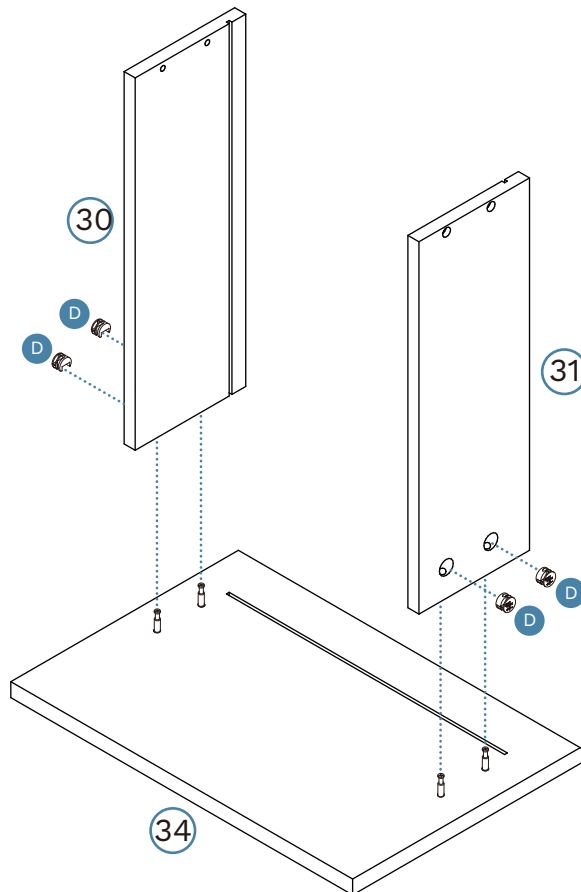
21

Hardware Needed		
C		x4



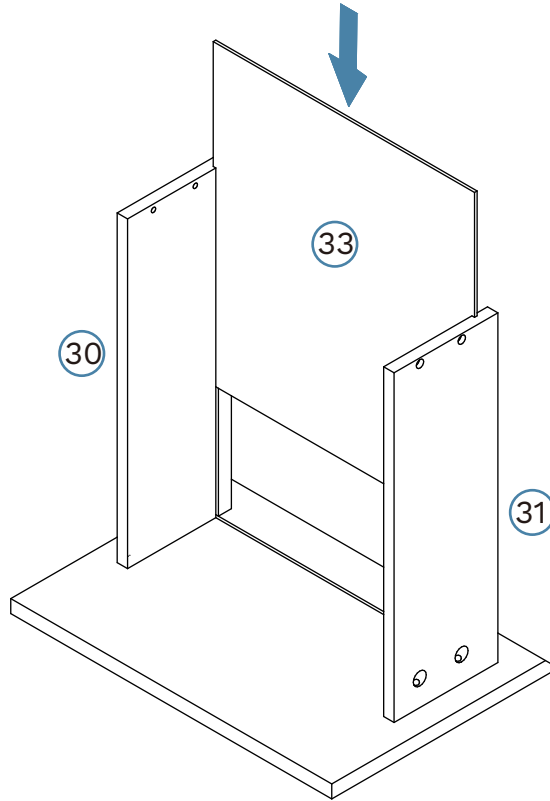
22

Hardware Needed		
D		x4

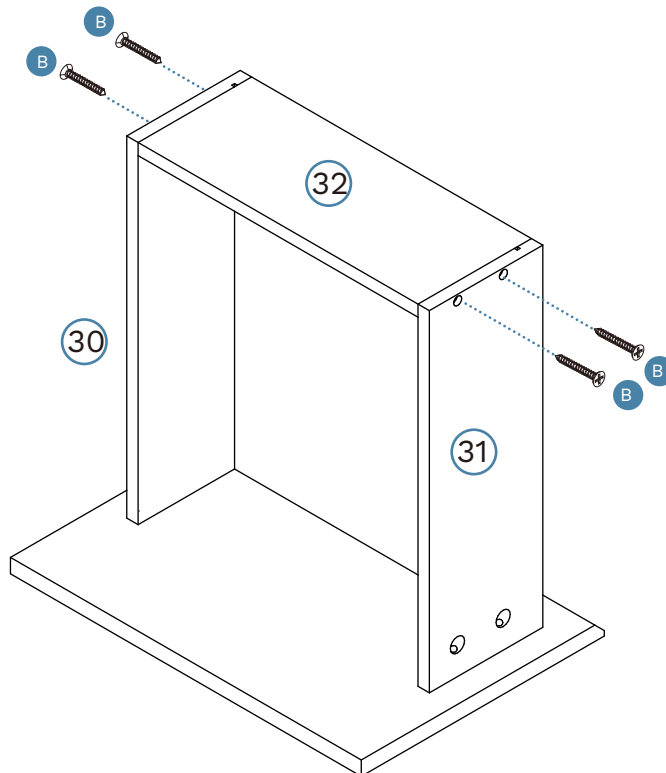


Leia
Make-Up Table

23



24

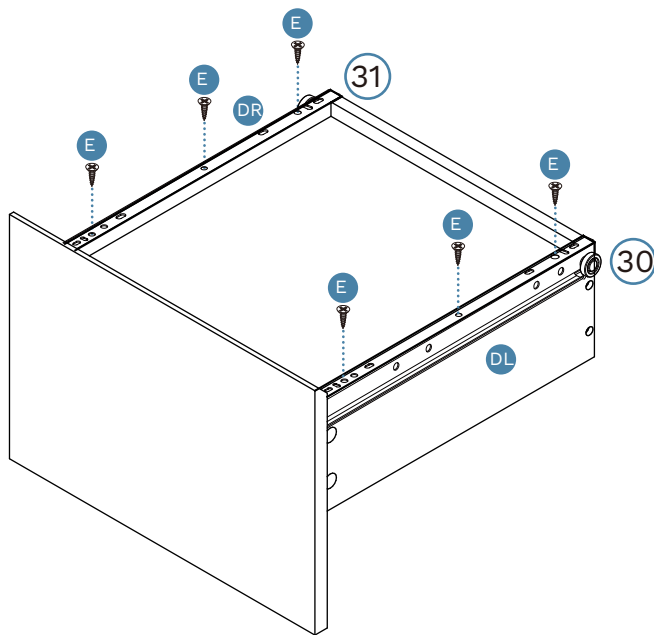





Hardware Needed

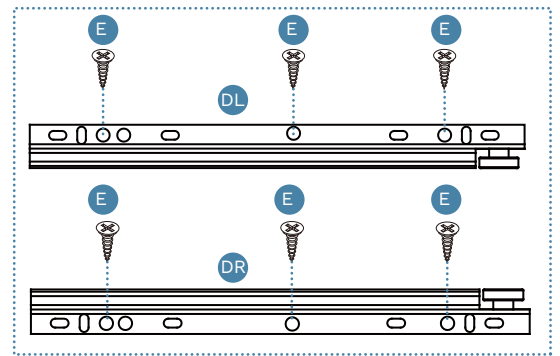
B		x4
---	---	----

Leia
Make-Up Table

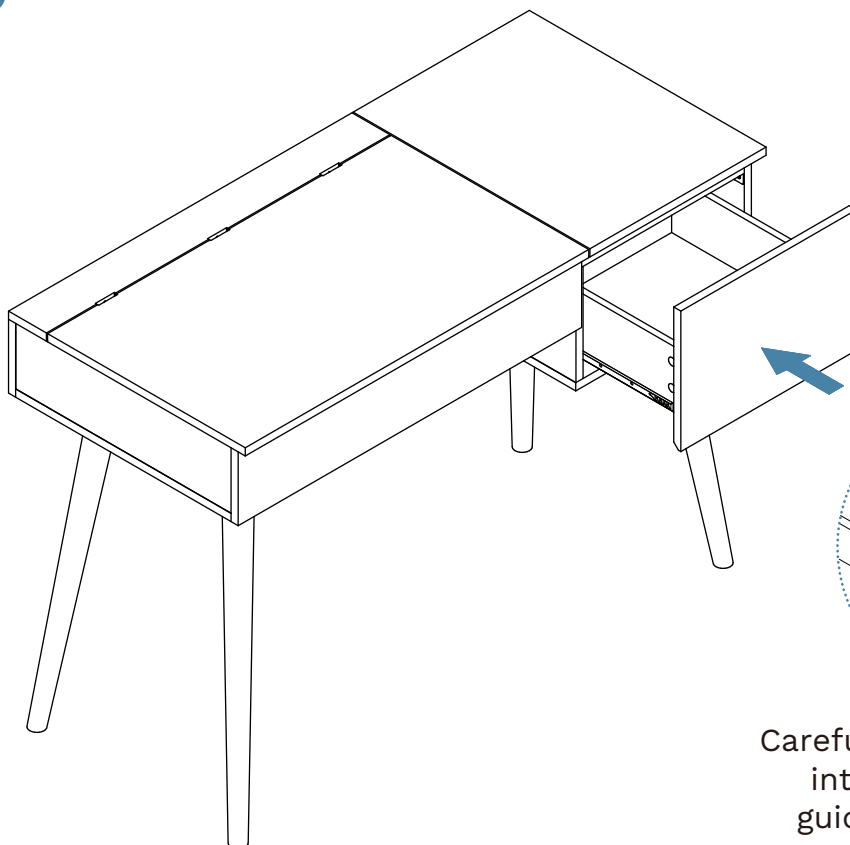
25



Hardware Needed		
E		x6
DL		x1
DR		x1



26

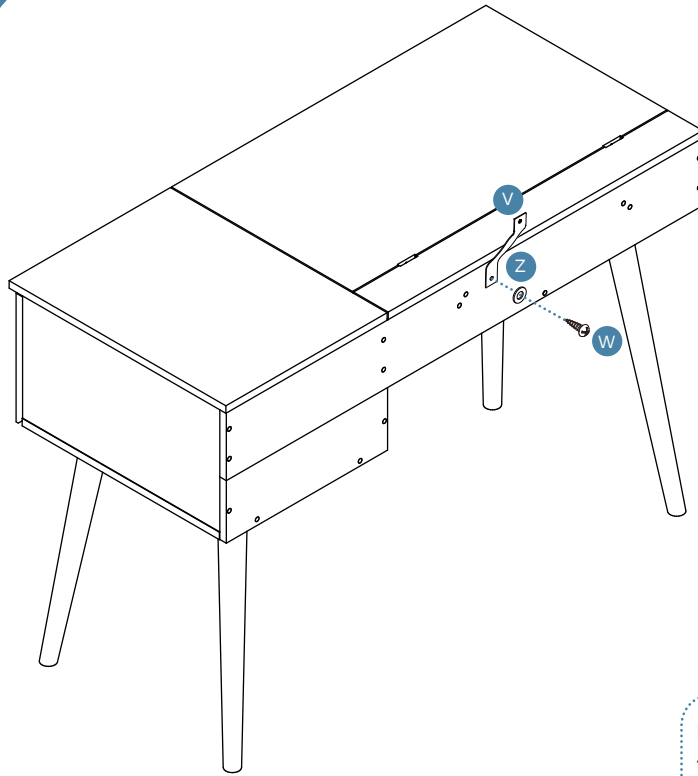





Carefully insert the drawers into the unit by gently guiding the runners into the tracks.

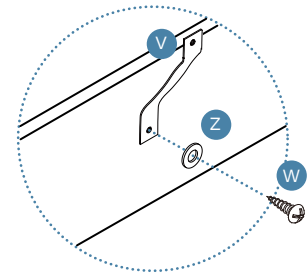
Mocka.

Leia
Make-Up Table

27

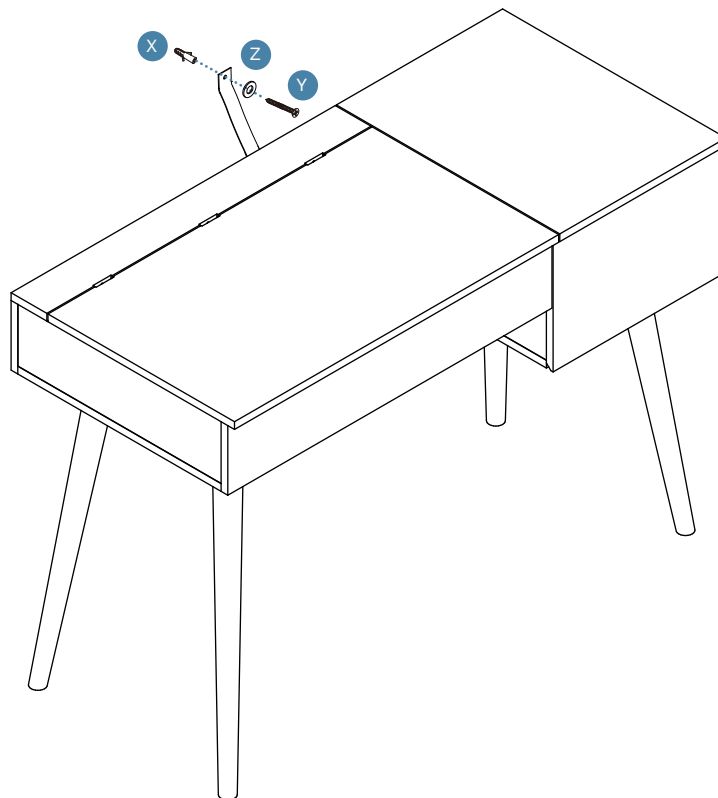





Hardware Needed		
V		x1
W		x1
Z		x1

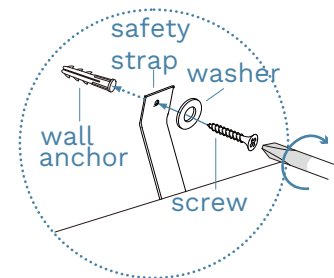


Note: Seek advice from a qualified trades person on how to attach this safety strap to your specific wall.

28



Hardware Needed		
X		x1
Y		x1
Z		x1



Once assembled lift furniture into place, do not drag. You're done, enjoy!